

4

3

2

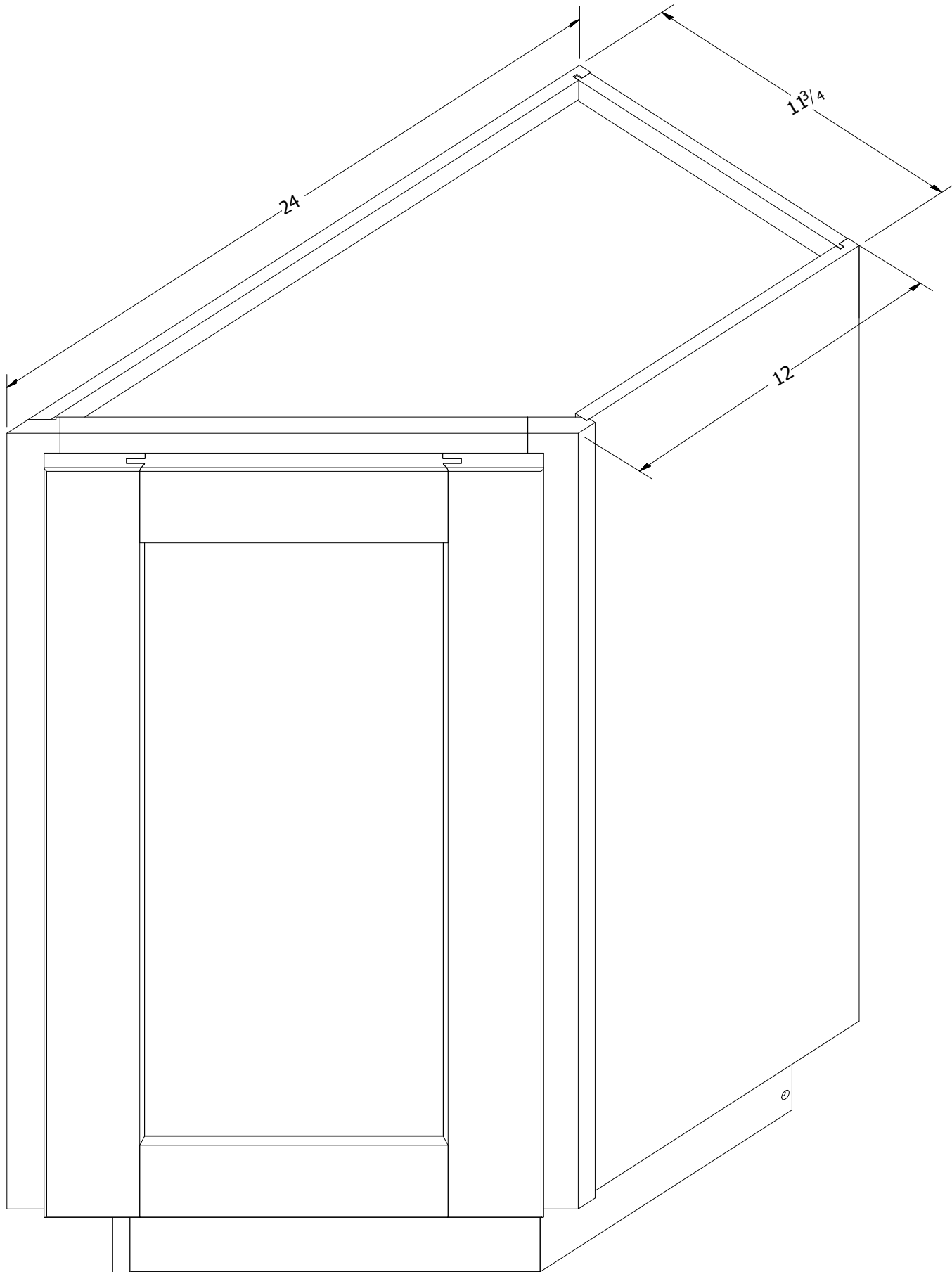
1

B

B

A

A



DRAWN Dimitar Nenov	8/1/2018
CHECKED	
QA	
MFG	
APPROVED	
TOLERANCES	
LINEAR :	-1mm
ANGULAR :	-1



TITLE			
TB12			
SIZE B	ANSI (mm)	DWG NO TB12	REV
SCALE 1 : 2	SHEET 1 OF 3		

4

3

2

1

